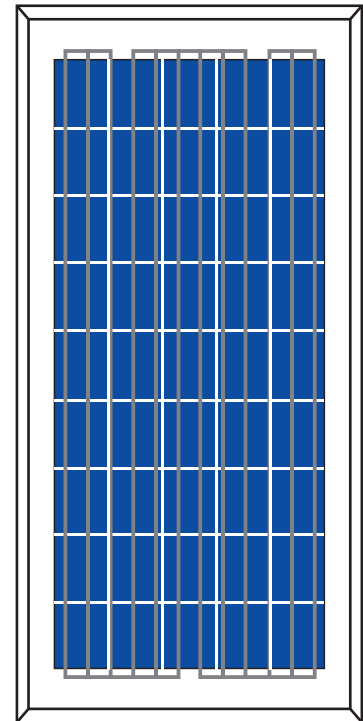


Raw materials and Mechanical Parameters

	P6-140	P6-150	P6-160
Type of Cells(mm)		poly156 × 156	
NO. of Cells and Connections		4 × 9=36	
Dimensions(mm)(L*W*H)		1480 × 670 × 35	
Weight(kg)		11.0	
Glass		3.2mm Tempered Glass	
Encapsulation		EVA	
Backsheet		Multilayer Composite	
Aluminium-Frame		Silvery/Black Anodized aluminium alloy	
Junction-Box		IP65/IP67	
Cable		NA, but customized is acceptable	
Connector		NA, but MC4 and MC4 Compatible are acceptable	
Package Configuration		4pcs/ctn	

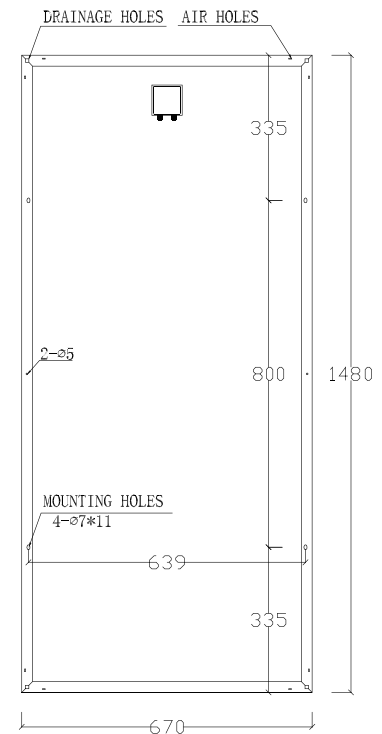
▼ Engineering Drawings (Front Side)



Performance Parameters

	P6-140	P6-150	P6-160
Maximum System Voltage		700V	
Operating Temperature		-45~+80°C	
Maximum Series Fuse		10A	
Maximum Static Load, Front Side (e.x. Snow, Wind)		5400PA	
Maximum Static Load, Back Side (e.x. Wind)		2400PA	
Application Grade		Class A	

▼ Engineering Drawings (Back Side)



Electrical Parameters (Standard Test Condition)

	P6-140	P6-150	P6-160
Rated Maximum Power(Mp)	140W	150W	160W
Power Tolerance		0- +5W	
Cell Efficiency	16.00%	17.7%	18.8%
Open Circuit Voltage(Voc)	22.4V	22.4V	22.6V
Maximum Power Voltage(Vmp)	17.4V	17.5V	17.7V
Short Circuit Current(Isc)	8.59A	9.05A	9.52A
Maximum Power Current(Imp)	8.05A	8.63A	9.04A
Temperature Coefficient of Isc		+0.06%	
Temperature Coefficient of Voc		-0.33%	
Temperature Coefficient of Pmp		-0.45%	
Standard Test Condition	Irradiance:1000WM2, Cell Temperature:25°C, Spectrum AM:1.5		

The Electrical Parameters of the module are the average theory figure under the standard test condition, each one exists difference. Can not be treated as the basis of module delivery.