

**PHILIPS
LUMEC**

Urban

TownGuide
Flat cone



Project: _____
 Location: _____
 Cat.No: _____
 Type: _____
 Lamps: _____ Qty: _____
 Notes: _____

The Philips Lumec TownGuide family is a functional outdoor LED lighting range for the lower post-top applications. TownGuide is most suitable for parks and recreation, city centers, pedestrian areas and bike paths, campuses, public areas and green projects.

Ordering guide

Example: PBDP100-101W240LED4K-MP-PC-C-LE5-UNIV-CDMGM25-RCD-PH8-P120-12-GR

| Series | Lamp | Lamp type | Globe material | Globe finish | Optical system | Voltage | Driver options | Luminaire options | Luminaire accessory | Pole type & height | Finish |
|-------------------|--|-----------|----------------|--------------------------|--------------------------|-------------|--|---------------------------------------|--|--|-----------------------------------|
| PBDP100 | <input type="checkbox"/> | MP | PC | <input type="checkbox"/> | <input type="checkbox"/> | UNIV | <input type="checkbox"/> | <input type="checkbox"/> | <input type="checkbox"/> | <input type="checkbox"/> | <input type="checkbox"/> |
| PBDP100 Flat cone | 50W120LED4K 61W120LED4K 75W180LED4K 95W240LED4K 101W240LED4K | MP | PC | FO ¹ C | LE2 LE3 LE5 | UNIV | CLO AST OTL DALI CDMGS25 CDMGS50 CDMGS75 CDMGM25 CDMGM50 CDMGM75 CDMGE25 CDMGE50 CDMGE75 | RCD ² RCD7 ² | SPC ³ SPCD ³ PH8 PH8XL PH9 | P120-8 P120-10 P120-12 P120-14 P150-8 P150-10 | BKST BRST GR MGY WHST |

1 **LE2, LE3** Optics do not give optimized distribution patterns - **LE5** suggested if using a frosted globe
 2 Use of Luminaire accessory **SPC, SPCD, PH8, PH8XL**, or **PH9** is required to ensure proper illumination.
 3 **CDMG** and **DALI** are not available with this option

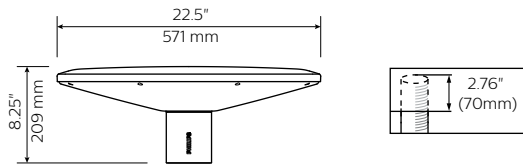
Features

- Dedicated LED luminaire, optimized for minimum Total Cost of Ownership.
- Wide choice of lumen packages, ranging from 3,100 to 9,800 total delivered lumens.
- Standard Color Temperature 4000 K (neutral white).
- Long lifetime of 70,000 hours. (L₇₀ = 70,000 hrs. at ambient temperature = 25°C)
- Suitable for new installations or one-to-one replacement in existing installations.
- Vandal-resistant, IP66 Rated.
- Recognizable yet modern design that blend in harmoniously with their surroundings.
- State-of-the-art mid-power LEDs increase visual comfort for motorists, cyclists and pedestrians.
- Considerable reduction in energy usage and carbon footprint compared to conventional lamps.
- Dedicated LED optics provide high quality and uniform light distribution.

PBDP100 TownGuide Flat cone

Urban post-top luminaire

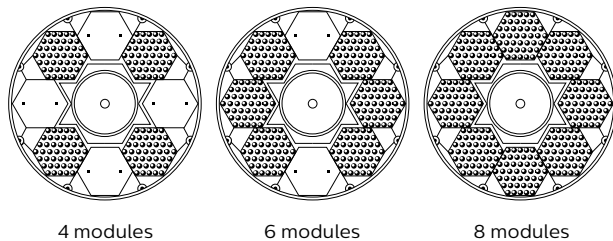
Luminaire



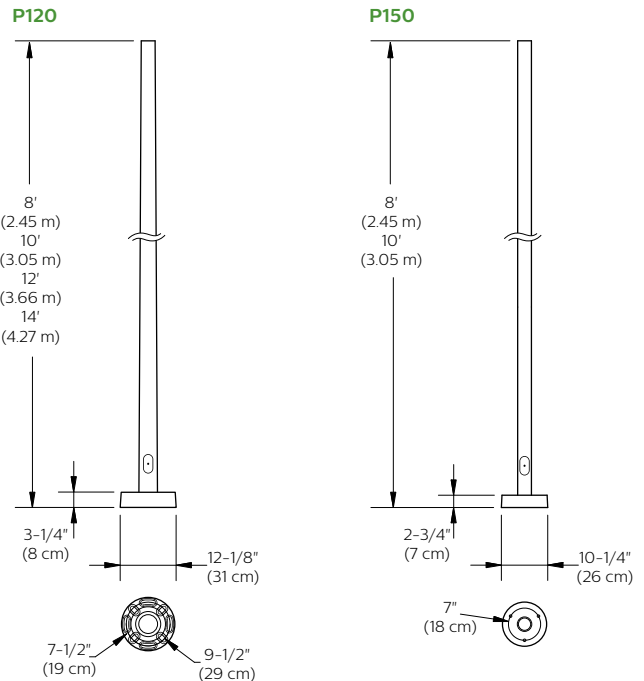
EPA: .5489 sq. ft.

Weight: 14.06 lbs

Arrangement of the LED modules in the luminaire, viewed from the road axis.



Poles



Specifications:

Hood

In a round shape, made of die cast A413 aluminum, mechanically fastened to the globe.

Globe (PC)

One-piece Seamless impact resistant injected-molded clear UV-Stabilized polycarbonate. The globe is mechanically assembled on the hood and fitter. **C**: clear or **FO**: frosted finish.

Fitter

Made of die cast A413 Aluminum alloy. Comes with an easy self adjusting system with two 2 set screws M8 x 20 Allen type for ease of maintenance and installation. Fits on a 3"(76mm) outside diameter by 2.76" (70mm) long tenon.

Light engine

Light engine composed of 3 main components: LED / Optical System / Driver Electrical components are RoHS compliant. Offered in configurations of 4, 6 or 8 modules. Product does not use any cooling device with moving parts (only passive cooling device).

LED module

Each module is composed of 30 MP mid power white LEDs. Color temperature of 4000 Kelvin nominal, 80 CRI. Operating lifespan of 70,000 hours based on TM 21 extrapolation to get results after which 50% of LEDs still emit over 70% (L_{70}) of its original lumen output at 25° C.

Optical system

LE2 (type II asymmetrical), **LE3** (type III asymmetrical) or **LE5** (type V symmetrical) light distributions. Composed of high-performance optical grade PMMA acrylic refractor lenses to achieve desired distribution optimized to get maximum spacing, target lumens and a superior lighting uniformity. Optical system is rated IP66. Performance shall be tested per LM-63, LM-79 and TM-15 (IESNA) certifying its photometric performance. Street side indicated.

Driver

Driver comes with dimming compatible 0-10 volts. High power factor of 95%. Electronic driver, operating range 50/60 Hz. **UNVI**: Auto-adjusting universal voltage input from 120 to 277 VAC rated for both application line to line or line to neutral, Class I, THD of 20% max. Maximum ambient operating temperature from -40° F (-40° C) to 130° F (55° C) degrees.

Certified in compliance to UL1310 cULus requirement. Dry and damp location. Mechanically fastened on the hood.

The current supplying the LEDs will be reduced by the driver if the driver experiences internal overheating as a protection to the LEDs and the electrical components. Output is protected from short circuits, voltage overload and current overload. Automatic recovery after correction.

Surge protector

Surge protector tested in accordance with ANSI/IEEE C62.45 per ANSI/IEEE C62.41.2 Scenario I Category C High Exposure 10kV/10kA waveforms for Line Ground, Line Neutral and Neutral Ground, and in accordance with U.S. DOE (Department of Energy) MSSLC (Municipal Solid State Street Lighting Consortium) model specification for LED Urban luminaires electrical immunity requirements for High Test Level 10kV / 10kA.

Wiring

Gauge (#18) TEW/AWM 1015 or 1230 wires, 6" (152mm) minimum exceeding from luminaire.

PBDP100 TownGuide Flat cone

Urban post-top luminaire

Specifications (continued)

Hardware

All exposed screws shall be stainless steel. All seals and sealing devices are made and/or lined with EPDM and/or silicone and/or rubber.

Driver options

AST: Pre-set driver for progressive start-up of the LED module(s) to optimize energy management and enhance visual comfort at start-up.

CLO: Pre-set driver to manage the lumen depreciation by adjusting the power given to the LEDs offering the same lighting intensity during the entire lifespan of the LED module.

DALI: Pre-set driver compatible with the DALI control system.

OTL: Pre-set driver to signal end of life of the LED module(s) for better fixture management.

CDMG: Dynadimmer standard dimming functionalities including pre-programmed scenarios to suit many applications and needs from safety to maximum energy savings.

| Ordering Code | Scenario | Dimming Time | Dimming Level |
|---------------|----------|--------------|-------------------|
| CDMG525 | Safety | 4 hours | 25% power dimming |
| CDMG550 | Safety | 4 hours | 50% power dimming |
| CDMG575 | Safety | 4 hours | 75% power dimming |
| CDMG25 | Median | 6 hours | 25% power dimming |
| CDMG50 | Median | 6 hours | 50% power dimming |
| CDMG75 | Median | 6 hours | 75% power dimming |
| CDMGE25 | Economy | 8 hours | 25% power dimming |
| CDMGE50 | Economy | 8 hours | 50% power dimming |
| CDMGE75 | Economy | 8 hours | 75% power dimming |

Luminaire option

RCD: Receptacle with 5 pins allowing dimming, can be used with a twist-lock Starsense, photoelectric cell or a shorting cap.

RCD7: Receptacle with 7 pins allowing dimming, can be used with a twist-lock Starsense, photoelectric cell or a shorting cap.

Luminaire accessories

Connected Lighting:

SPC: Starsense telemanagement system for monitoring, controlling, metering and diagnosing outdoor lighting networks. Starsense is based on two-way wireless communication using the latest in mesh network technology. This option gives ON/OFF control of the luminaires but does not support dimming.

SPCD: Starsense telemanagement system for monitoring, controlling, metering and diagnosing outdoor lighting networks. Starsense is based on two-way wireless communication using the latest in mesh network technology. This option gives ON/OFF and full dimming control of the luminaires.

Other Photo Control Options include:

PH8: Photoelectric Cell, Twist-lock Type complete with receptacle. Allows a 90 degree rotation.

PH8XL: Extended life photoelectric cell, Twist-lock Type complete with receptacle. Allows a 90 degree rotation.

PH9: Shorting cap, Twist-lock Type complete with receptacle.

Finish

The Thermosetting powder coating provided meets the color requirements of the AAMA 2604 specification as measured per ASTM D2244. The Thermosetting product is applied at a dry film of 2.5 to 4.0 mils (64-102 microns) on textured finishes, resulting in a durable long lasting finish.

Finish Options Include:

BKST: Black Sand Textured

BRST: Bronze Sand Textured

GR: Dark Gray Sand Textured

MGY: Medium Gray Sand Textured

WHST: White Sand Textured.

Consult factory for custom finish options.

LED products (manufacturing standard)

The electronic components sensitive to electrostatic discharge (ESD) such as light emitting diodes (LEDs) are assembled in compliance with IEC61340 5 1 and ANSI/ESD S20.20 standards so as to eliminate ESD events that could decrease the useful life of the product..

Quality control

Manufactured to ISO 9001 2008 standards.

Vibration resistance

Meets the ANSI C136.31, American National Standard for Roadway Luminaire Vibration specifications for normal applications. (Tested for 1.5G over 100 000 cycles by an independent lab)

Certifications and Compliance

UL8750 and UL1598 compliant. ETL and cETL Listed to U.S. and Canadian safety standards for wet locations. In accordance with applicable ANSI C136 standards.

Pole options

P120: 413F, low-copper cast aluminum. 6063-T6 extruded aluminum. Anchor rods are hot dipped galvanized steel. Tenon/Top: 3" OD., Bolt Circle: 7 1/2" - 9 1/2", Anchor Rods: (4) 3/4" dia. x 19", Base Dimensions: 11 1/2" dia. x 2 3/8", Base Cover: (Included) 12 1/8" dia. x 3 1/4", Hand Hole: 2" x 4" Oval, Shaft: 4" - 3" Tapered, Wall Thickness: 0.125 Aluminum, Height: 8', 10', 12', 14'

P150: 356 HM high-strength, low-copper, proprietary cast aluminum alloy. 319 permanent mold aluminum. 6005-T5 extruded aluminum. Anchor rods are hot dipped galvanized steel. Tenon/Top is 3" OD., Bolt Circle is 7", Anchor Rods: (3) 1/2" dia. x 15 1/2", Base Dimensions: 9 5/8" dia. x 1 3/8", Base Cover: (included) 10 1/4" dia. x 2 3/4", Hand Hole: 2" x 4" Oval, Shaft: 3" Straight, Wall Thickness: 0.125 Aluminum, Height: 8' or 10'

PBDP100 TownGuide Flat cone

Urban post-top luminaire

Flat cone, Clear

LED = Mid-Power, CRI = 80, CCT = 4000K (+/- 350K)

System (LED + driver) rated life = 70,000 hrs¹

| LED Module | Typical delivered lumens | Typical system wattage (W) ² | Typical System Current (A) @ | | | | LED current (mA) | HID ³ equivalent | Luminaire Efficacy Rating (Lm/W) | BUG rating |
|--------------------------|--------------------------|---|------------------------------|------|------|------|------------------|-----------------------------|----------------------------------|------------|
| | | | 120V | 208V | 240V | 277V | | | | |
| 50W120LED4K-MP-PC-C-LE3 | 4644 | 50 | 0.43 | 0.26 | 0.24 | 0.22 | 130 | 70 -100 | 92.9 | B2-U2-G1 |
| 50W120LED4K-MP-PC-C-LE5 | 4736 | 50 | 0.43 | 0.26 | 0.24 | 0.22 | 130 | 70 -100 | 94.7 | B2-U2-G1 |
| 50W120LED4K-MP-PC-C-LE2 | 4802 | 50 | 0.43 | 0.26 | 0.24 | 0.22 | 130 | 70 -100 | 96.0 | B2-U2-G1 |
| 61W120LED4K-MP-PC-C-LE3 | 5419 | 61 | 0.52 | 0.30 | 0.26 | 0.24 | 155 | 100 - 150 | 88.8 | B2-U2-G1 |
| 61W120LED4K-MP-PC-C-LE5 | 5526 | 61 | 0.52 | 0.30 | 0.26 | 0.24 | 155 | 100 - 150 | 90.6 | B3-U2-G1 |
| 61W120LED4K-MP-PC-C-LE2 | 5604 | 61 | 0.52 | 0.30 | 0.26 | 0.24 | 155 | 100 - 150 | 91.9 | B2-U2-G1 |
| 75W180LED4K-MP-PC-C-LE5 | 6933 | 75 | 0.64 | 0.37 | 0.33 | 0.30 | 130 | 150 - 175 | 92.4 | B3-U2-G1 |
| 75W180LED4K-MP-PC-C-LE2 | 6936 | 75 | 0.64 | 0.37 | 0.33 | 0.30 | 130 | 150 - 175 | 92.5 | B2-U2-G1 |
| 75W180LED4K-MP-PC-C-LE3 | 6940 | 75 | 0.64 | 0.37 | 0.33 | 0.30 | 130 | 150 - 175 | 92.5 | B2-U2-G2 |
| 95W240LED4K-MP-PC-C-LE3 | 8491 | 95 | 0.80 | 0.47 | 0.41 | 0.37 | 120 | 150 - 175 | 89.4 | B2-U2-G2 |
| 95W240LED4K-MP-PC-C-LE5 | 8690 | 95 | 0.80 | 0.47 | 0.41 | 0.37 | 120 | 150 - 175 | 91.5 | B3-U2-G1 |
| 95W240LED4K-MP-PC-C-LE2 | 8773 | 95 | 0.80 | 0.47 | 0.41 | 0.37 | 120 | 150 - 175 | 92.3 | B2-U2-G1 |
| 101W240LED4K-MP-PC-C-LE3 | 9193 | 102 | 0.87 | 0.51 | 0.44 | 0.39 | 130 | 175 - 200 | 90.1 | B3-U2-G2 |
| 101W240LED4K-MP-PC-C-LE5 | 9410 | 102 | 0.87 | 0.51 | 0.44 | 0.39 | 130 | 175 - 200 | 92.3 | B3-U2-G2 |
| 101W240LED4K-MP-PC-C-LE2 | 9499 | 102 | 0.87 | 0.51 | 0.44 | 0.39 | 130 | 175 - 200 | 93.1 | B3-U2-G2 |

Flat cone, Frosted

LED = Mid-Power, CRI = 80, CCT = 4000K (+/- 350K)

System (LED + driver) rated life = 70,000 hrs¹

| LED Module | Typical delivered lumens | Typical system wattage (W) ² | Typical System Current (A) @ | | | | LED current (mA) | HID ³ equivalent | Luminaire Efficacy Rating (Lm/W) | BUG rating |
|---------------------------|--------------------------|---|------------------------------|------|------|------|------------------|-----------------------------|----------------------------------|------------|
| | | | 120V | 208V | 240V | 277V | | | | |
| 50W120LED4K-MP-PC-FO-LE5 | 3484 | 50 | 0.43 | 0.26 | 0.24 | 0.22 | 130 | 50 - 70 | 69.7 | B1-U2-G1 |
| 61W120LED4K-MP-PC-FO-LE5 | 4070 | 61 | 0.52 | 0.30 | 0.26 | 0.24 | 155 | 70 -100 | 66.7 | B2-U2-G1 |
| 75W180LED4K-MP-PC-FO-LE5 | 4975 | 75 | 0.64 | 0.37 | 0.33 | 0.30 | 130 | 70 -100 | 66.3 | B2-U2-G1 |
| 95W240LED4K-MP-PC-FO-LE5 | 6133 | 95 | 0.80 | 0.47 | 0.41 | 0.37 | 120 | 100 - 150 | 64.6 | B2-U2-G2 |
| 101W240LED4K-MP-PC-FO-LE5 | 6635 | 102 | 0.87 | 0.51 | 0.44 | 0.39 | 130 | 150 - 175 | 65.0 | B2-U2-G2 |

1. L70 = 70,000 hrs (at ambient temperature = 25°C)
2. System wattage includes the lamp and the LED driver
3. Equivalence should always be confirmed by a photometric layout

Note: Due to rapid and continuous advances in LED technology, LED luminaire data is subject to change without notice and at the discretion of Philips.

© 2014 Koninklijke Philips N.V. All rights reserved.
Philips reserves the right to make changes in specifications and/or to discontinue any product at any time without notice or obligation and will not be liable for any consequences resulting from the use of this publication.
philips.com/luminaires



Philips Lighting, North America Corporation
200 Franklin Square Drive, Somerset, NJ 08873
Tel. 855-486-2216

Imported by: Philips Lighting,
A division of Philips Electronics Ltd.
281 Hillmount Rd, Markham, ON, Canada L6C 2S3
Tel. 800-668-9008