



Consistent with LEED® goals & Green Globes™ criteria for light pollution reduction

# Autobahn Series ATBM Roadway

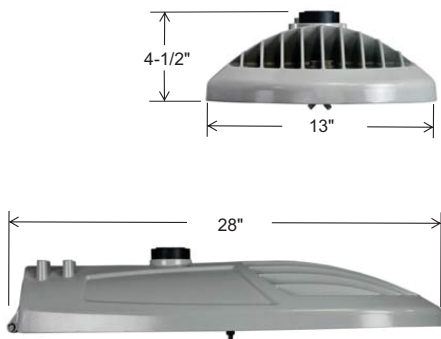
## PRODUCT OVERVIEW



### Applications:

- Residential streets
- Parking lots
- High speed roadways

### DIMENSIONS



Effective Projected Area (EPA)  
The EPA for the ATBM is 0.3 sq. ft.,  
Approx. Wt. = 21 lbs. (9.5 kg)

### STANDARDS

DesignLights Consortium® (DLC) qualified product. Not all versions of this product may be DLC qualified. Please check the DLC Qualified Products List at [www.designlights.org/QPL](http://www.designlights.org/QPL) to confirm which versions are qualified.

Color temperatures of  $\leq 3000\text{K}$  must be specified for International Dark-Sky Association certification.

Rated for  $-40^{\circ}\text{C}$  to  $40^{\circ}\text{C}$  ambient

CSA Certified to U.S. and Canadian standards

Complies with ANSI: C136.2, C136.10, C136.14, C136.31, C136.15, C136.37

### Features:

#### OPTICAL

Same Light: Performance is comparable to 150W – 250W HPS

White Light: Correlated color temperature - 4000K, 70 CRI minimum, 3000K, 70 CRI minimum or optional 5000K, 70 CRI minimum.

IP66 rated borosilicate glass optics ensure longevity and minimize dirt depreciation. Unique IP66 rated LED light engines provide 0% uplight and restrict backlight to within sidewalk depth, providing optimal application coverage and optimal pole spacing.

Available distributions are Type II, III, IV, & V roadway distributions.

#### ELECTRICAL

Expected Life: LED light engines are rated  $>100,000$  hours at  $25^{\circ}\text{C}$ , L70.

Electronic driver has an expected life of 100,000 hours at a  $25^{\circ}\text{C}$  ambient.

Lower Energy: Saves an expected 40-60% over comparable HID luminaires.

Robust Surge Protection: Three different surge protection options provide a minimum of ANSI C136.2 10kV/5kA protection. 20kV/10kA surge protection is also available.

#### MECHANICAL

Includes standard AEL lineman-friendly features such as tool-less entry, 3 station terminal block and quick disconnects. Bubble level located inside the electrical compartment for easy leveling at installation.

Rugged die-cast aluminum housing and door are polyester powder-coated for durability and corrosion resistance. Rigorous five-stage pre-treating and painting process yields a finish that achieves a scribe creepage rating of 8 (per ASTM D1654) after over 5000 hours exposure to salt fog chamber (operated per ASTM B117).

Mast arm mount is adjustable for arms from 1-1/4" to 2" (1-5/8" to 2-3/8" O.D.) diameter. The 2-bolt and optional 4 bolt clamping mechanism provide 3G vibration rating per ANSI C136.

The Wildlife shield is cast into the housing (not a separate piece).

#### CONTROLS

NEMA 3 pin photocontrol receptacle is standard, with the Acuity designed ANSI standard 5 pin and 7 pin receptacles optionally available.

Premium solid state locking-style photocontrol – PCSS (10 year rated life) Extreme long life solid state locking-style photocontrol – PCL1 (20 year rated life).

Extreme long life solid state locking-style photocontrol with on demand remote on/off control - PCCC (15 year rated life).

Optional onboard Adjustable Output module allows the light output and input wattage to be modified to meet site specific requirements, and also can allow a single fixture to be flexibly applied in many different applications.

# Autobahn Series ATBM

## Roadway

### ORDERING INFORMATION

Example: ATBM A MVOLT R2

Series	Performance Packages	Voltage	Optics	Mounting
<b>ATBM</b> Autobahn LED Roadway	<b>A</b> 7,000 lumens <b>B</b> 8,000 lumens <b>C</b> 9,000 lumens <b>D</b> 11,600 lumens <b>E</b> 13,400 lumens <b>F</b> 15,700 lumens <b>G</b> 16,600 lumens <b>H</b> 17,400 lumens	<b>MVOLT</b> Multi-volt, 120-277V <b>347</b> 347V <b>480</b> 480V	<b>R2</b> Roadway Type II <b>R3</b> Roadway Type III <b>R4</b> Roadway Type IV <b>R5</b> Roadway Type V	<b>(Blank)</b> 2 Bolt Mounting <b>4B</b> 4 Bolt Mounting

### Options

Color Temperature (CCT)	Control Options	Accessories
<b>(Blank)</b> 4000K CCT, 70 CRI Min. <b>3K</b> 3000K CCT, 70 CRI Min. <b>5K</b> 5000K CCT, 70 CRI Min.	<b>(Blank)</b> 3 Pin NEMA Photocontrol Receptacle <b>P5</b> 5 Pin Photocontrol Receptacle (dimmable driver included) <sup>2</sup> <b>P7</b> 7 Pin Photocontrol Receptacle (dimmable driver included) <sup>2</sup> <b>NR</b> No Photocontrol Receptacle <sup>3</sup> <b>AO</b> Field Adjustable Output <sup>4</sup> <b>DM</b> 0-10V Dimmable Driver <sup>5</sup> <b>PCSS</b> Solid-State Lighting Photocontrol <sup>6</sup> <b>PCLL</b> Solid-State Long Life Photocontrol <b>PCCC</b> Solid-State Long Life Photocontrol with remote control on/off <sup>7</sup> <b>SH</b> Shorting Cap	<b>ATBMHSS</b> House Side Shield <b>ATBMLTS</b> Light Trespass Shield <b>RKATBMMVOLTSPD</b> ATBM Acuity SPD Replacement Kit MVOLT <b>RKATBMHVSPD</b> ATBM Acuity SPD Replacement Kit 347/480V <b>RKATBMMVOLTMP</b> ATBM MOV Pack Replacement Kit <b>RKATBMMVOLTIL</b> ATBM IL SPD Replacement Kit
Paint	Packages	
<b>(Blank)</b> Gray <b>BK</b> Black <b>BZ</b> Bronze <b>DDB</b> Dark Bronze <b>GI</b> Graphite <b>WH</b> White	<b>(Blank)</b> Standard Pack <b>JP</b> Job Pack (36/pallet)	
Surge Protection		
<b>(Blank)</b> Acuity SPD <b>20</b> 20kV/10KA SPD <sup>8</sup> <b>MP</b> MOV Pack <sup>1</sup> <b>IL</b> SPD with Indicator Light <sup>1</sup>		
Miscellaneous Options		
<b>HSS</b> House Side Shield <b>NL</b> NEMA Label Indicating Wattage <b>XL</b> Not CSA Certified – No Terminal Block Cover		

#### Notes:

- 1 Not available with G and H performance packages.
- 2 Dimmable Driver included. Not available with AO, DM or NR.
- 3 Not available with P5, P7.
- 4 Not available with DM, P5 or P7.
- 5 Controls by others. Not available with AO.
- 6 MVOLT only.
- 7 Not available with PCSS or PCLL.
- 8 Not available with G & H packages at 347/480 volts.

# Autobahn Series ATBM

## Roadway

### PERFORMANCE PACKAGE

Performance Package	Distribution	4000 K CCT			LLD @ 25°C		
		Lumens	Input Watts	LPW	50K Hours	75K Hours	100K Hours
A	R2	7,114	60	118	89	84	80
	R3	7,024		117			
	R4	6,958		116			
	R5	7,469		124			
B	R2	8,090	70	115	89	84	80
	R3	8,016		114			
	R4	7,924		113			
	R5	8528		121			
C	R2	9031	81	112	89	84	80
	R3	8,942		111			
	R4	8,827		110			
	R5	9,517		118			
D	R2	11,769	95	124	90	87	84
	R3	11,690		123			
	R4	11,534		121			
	R5	12,388		130			
E	R2	13,601	115	118	90	87	84
	R3	13,416		117			
	R4	13,323		116			
	R5	14,263		124			
F	R2	15,932	133	120	90	86	83
	R3	15,741		118			
	R4	15,476		116			
	R5	16,691		125			
G	R2	17,102	150	114	90	86	83
	R3	16,974		113			
	R4	16,635		111			
	R5	17,938		119			
H	R2	18,085	164	111	90	86	83
	R3	17,929		110			
	R4	17,439		107			
	R5	18,966		116			

**Note:** Information shown above is based on 4000K nominal system data. Individual fixture performance may vary. Specifications subject to change without notice.



AEL Headquarters, 3825 Columbus Road, Granville, OH 43023  
www.americanelectriclighting.com

© 2014-2017 Acuity Brands Lighting, Inc. All Rights Reserved. 03/28/17

**Warranty** Five-year limited warranty. Complete warranty terms located at: [www.acuitybrands.com/CustomerResources/Terms\\_and\\_conditions.aspx](http://www.acuitybrands.com/CustomerResources/Terms_and_conditions.aspx)  
Actual performance may differ as a result of end-user environment and application. Specifications subject to change without notice.

*Please contact your sales representative for the latest product information.*

ATBM