

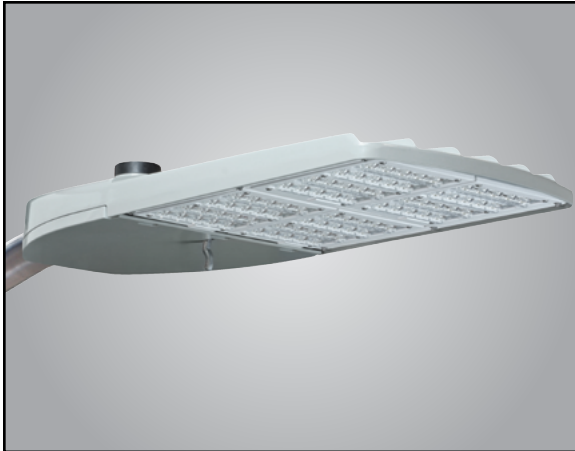


Consistent with LEED® goals & Green Globes™ criteria for light pollution reduction

Autobahn Series ATB2

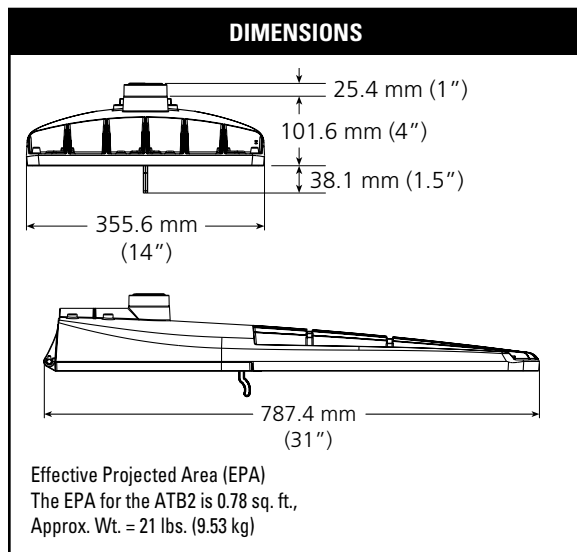
Roadway Lighting

PRODUCT OVERVIEW



Applications:

- Roadways
- Off ramps
- Residential streets
- Parking lots



STANDARDS

DesignLights Consortium® (DLC) qualified product. Not all versions of this product may be DLC qualified. Please check the DLC Qualified Products List at www.designlights.org/QPL to confirm which versions are qualified.

Color temperatures of $\leq 3000\text{K}$ must be specified for International Dark-Sky Association certification.

Rated for -40°C to 40°C ambient.

CSA Certified to U.S. and Canadian standards
Complies with ANSI: C136.2, C136.10, C136.14, C136.31, C136.15, C136.37

Note: Specifications subject to change without notice.

Autobahn Series – AEL_0109_ATB2

Features:

OPTICAL

Same Light: Performance is comparable to 250-400W HPS roadway luminaires.

White Light: Correlated color temperature - 4000K, 70 CRI minimum, 3000K, 70CRI minimum or optional 5000K, 70 CRI minimum.

Unique IP66 rated LED light engines provided 0% uplight and restrict backlight to within sidewalk depth, providing optimal application coverage and optimal pole spacing.

Available in Type II, III, IV, & V roadway distributions.

ELECTRICAL

Expected Life: LED light engines are rated $>100,000$ hours at 25°C , L70. Electronic driver has an expected life of 100,000 hours at a 25°C ambient.

Lower Energy: Saves an average of 40-60% over comparable HPS platforms.

Robust Surge Protection: Three different surge protection options provide a minimum of ANSI C136.2 10kV/5kA protection. 20kV/10kA protection is also available.

MECHANICAL

Easy to Maintain: Includes standard AEL lineman-friendly features such as tool-less entry, 3 station terminal block and quick disconnects. Bubble level located inside the electrical compartment for easy leveling at installation.

Rugged die-cast aluminum housing is polyester powder-coated for durability and corrosion resistance. Rigorous five-stage pre-treating and painting process yields a finish that achieves a scribe creepage rating of 7 (per ASTM D1654) after over 5000 hours exposure to salt fog chamber (operated per ASTM B117).

Four-bolt mast arm mount is adjustable for arms from 1-1/4" to 2" (1-5/8" to 2-3/8" O.D.) diameter and provides a 3G vibration rating per ANSI C136.

Wildlife shield is cast into the housing (not a separate piece).

CONTROLS

NEMA 3 Pin photocontrol receptacle is standard, with the Acuity designed ANSI 7 Pin receptacle optionally available.

Premium solid state locking sale photocontrol - PCSS (10 year rated life). Extreme long life sold state locking style photocontrol - PCLL (20 year rated life).

Mult-level dimming available to provide scheduled dimming as specified by the customer.

Optional onboard Adjustable Output module allows the light output and input wattage to be modified to meet site specific requirements, and can also allow a single fixture to be flexibly applied in many different applications.

Autobahn Series ATB2

Roadway Lighting

ORDERING INFORMATION

Example: ATB2 40LEDE70 MVOLT R2

Series	Performance Packages	Voltage	Optics
ATB2 Autobahn LED Roadway	40BLEDE70 40B Chips, 700mA Driver 40BLEDE10 40B Chips, 1050mA Driver 40BLEDE13 40B Chips, 1300mA Driver 40BLEDE15 40B Chips, 1500mA Driver 60BLEDE70 60B Chips, 700mA Driver 60BLEDE85 60B Chips, 850mA Driver 60BLEDE10 60B Chips, 1050mA Driver 60BLEDE13 60B Chips, 1300mA Driver 60BLEDE15 60B Chips, 1500mA Driver 80BLEDE70 80B Chips, 700mA Driver 80BLEDE85 80B Chips, 850mA Driver 80BLEDE10 80B Chips, 1050mA Driver 80BLEDE12 80B Chips, 1200mA Driver 80BLEDE15 80B Chips, 1500mA Driver	MVOLT Multi-volt, 120-277V 347 347V 480 480V	R2 Roadway Type II R3 Roadway Type III R4 Roadway Type IV R5 Roadway Type V

Options

Color Temperature (CCT)

(Blank)	4000K CCT, 70 CRI Min.
3K	3000K CCT, 70 CRI Min.
5K	5000K CCT, 70 CRI Min.

Paint

(Blank)	Gray (Standard)
BK	Black
BZ	Bronze
DDB	Dark Bronze
GI	Graphite
WH	White

Surge Protection

(Blank)	Standard 10kV/5kA SPD
20	20kV/10KA SPD
MP¹	MOV Pack
IL¹	SPD with Indicator Light

Terminal Block

(Blank)	Terminal Block (Standard)
T2	Wired to L1 & L2 Positions

Misc.

BL	External Bubble Level
HS	House-Side Shield
NL	Nema Label
XL	Not CSA Certified
HK	Hingekeepers

Misc. (continued)

UMR-XX	8" Horizontal Arm for Round Pole, Painted to match Fixture
UMS-XX	8" Horizontal Arm for Square Pole, Painted to match Fixture
UMR-GALV	8" Horizontal Arm for Round Pole, Galvanized
UMS-GALV	8" Horizontal Arm for Square Pole, Galvanized

Controls

(Blank)	3 Pin NEMA Photocontrol Receptacle (Standard)
P7²	7 Pin Photocontrol Receptacle (Dimmable Driver Included)
NR	No Photocontrol Receptacle
AO²	Field Adjustable Output
DM	0V-10V Dimmable Driver (Controls by others)
ML^{3,4}	Multi-Level Dimming
PCSS¹	Solid State Lighting Photocontrol (120-277V)
PCLL	Solid State Long Life Photocontrol
SH	Shorting Cap

Packaging

(Blank)	Single Unit (Standard)
JP	Job Pack (24/Pallet)

Notes

1. Not available in 347 or 480V.
2. Not available with DM or ML options.
3. Not available with AO, DM or P7 options.
4. Dimming schedule and light level information required from the customer in order to configure product. Contact Infrastructure Technical Support to proceed.



AEL Headquarters, 3825 Columbus Road, Granville, OH 43023
 www.americanelectricalighting.com

© 2014-2017 Acuity Brands Lighting, Inc. All Rights Reserved. ATB2 07/24/17

Warranty Five-year limited warranty. Complete warranty terms located at: www.acuitybrands.com/CustomerResources/Terms_and_conditions.aspx
 Actual performance may differ as a result of end-user environment and application. All values are design or typical values, measured under laboratory conditions at 25 °C. Specifications subject to change without notice.

Please contact your sales representative for the latest product information.

Autobahn Series ATB2

Roadway Lighting

PERFORMANCE PACKAGE

Performance Package	Drive Current (mA)	Input Watts	Optic	4000K CCT		LLD @ 25°C		
				Delivered Lumens	Efficacy (LPW)	50k Hours	75k Hours	100k Hours
40B	700	88	R2	11607	132	0.97	0.97	0.96
	1000	133		16360	123	0.95	0.93	0.92
	1300	171		19544	114	0.93	0.90	0.87
	1500	198		21384	108	0.93	0.90	0.87
	700	88	R3	11552	131	0.97	0.97	0.96
	1000	133		16249	122	0.95	0.93	0.92
	1300	171		19462	114	0.93	0.90	0.87
	1500	198		21331	108	0.93	0.90	0.87
	700	88	R4	11768	134	0.97	0.97	0.96
	1000	133		16593	125	0.95	0.93	0.92
	1300	171		19877	116	0.93	0.90	0.87
	1500	198		21799	110	0.93	0.90	0.87
	700	88	R5	12388	141	0.97	0.97	0.96
	1000	133		17499	132	0.95	0.93	0.92
	1300	171		20795	122	0.93	0.90	0.87
1500	198	22828		115	0.93	0.90	0.87	
60B	700	130	R2	18193	140	0.97	0.97	0.96
	850	165		21436	130	0.95	0.93	0.92
	1000	204		24940	122	0.95	0.93	0.92
	1300	254		29357	116	0.93	0.90	0.87
	1500	291		32052	110	0.93	0.90	0.87
	700	130	R3	17714	136	0.97	0.97	0.96
	850	165		21351	129	0.95	0.93	0.92
	1000	204		25520	125	0.95	0.93	0.92
	1300	254		29991	118	0.93	0.90	0.87
	1500	291		32709	112	0.93	0.90	0.87
	700	130	R4	17984	138	0.97	0.97	0.96
	850	165		21446	130	0.95	0.93	0.92
	1000	204		25423	125	0.95	0.93	0.92
	1300	254		29898	118	0.93	0.90	0.87
	1500	291		32527	112	0.93	0.90	0.87
	700	130	R5	18561	143	0.97	0.97	0.96
	850	165		22402	136	0.95	0.93	0.92
	1000	204		26128	128	0.95	0.93	0.92
1300	254	30964		122	0.93	0.90	0.87	
1500	291	33922		117	0.93	0.90	0.87	
80B	700	177	R2	23037	130	0.97	0.97	0.96
	850	214		27086	127	0.95	0.93	0.92
	1000	268		31920	119	0.95	0.93	0.92
	1200	330		36826	112	0.93	0.90	0.88
	1500	388		40326	104	0.91	0.87	0.83
	700	177	R3	23934	135	0.97	0.97	0.96
	850	214		26879	126	0.95	0.93	0.92
	1000	268		32416	121	0.95	0.93	0.92
	1200	330		37042	112	0.93	0.90	0.88
	1500	388		41858	108	0.91	0.87	0.83
	700	177	R4	23230	131	0.97	0.97	0.96
	850	214		27263	127	0.95	0.93	0.92
	1000	268		32329	121	0.95	0.93	0.92
	1200	330		37293	113	0.93	0.90	0.88
	1500	388		41611	107	0.91	0.87	0.83
	700	177	R5	24776	140	0.97	0.97	0.96
	850	214		28865	135	0.95	0.93	0.92
	1000	268		34319	128	0.95	0.93	0.92
1200	330	39552		120	0.93	0.9	0.88	
1500	388	44747		115	0.91	0.87	0.83	

Note: Information shown above is based on 4000K nominal system data. To calculate 3000K lumen values, multiply the 4000K lumens by .93. Individual fixture performance may vary. Specifications subject to change without notice.

ATB2 LLD Multiplier	15°C	20°C	25°C	30°C	35°C	40°C
	1.02	1.01	1	0.99	0.97	0.96

To calculate the LLD for a temperature other than 25°C, multiply the LLD @ 25°C (shown in the performance package table) by the LLD multiplier for the selected temperature.



AEL Headquarters, 3825 Columbus Road, Granville, OH 43023
 www.americanelectricalighting.com
 © 2014-2017 Acuity Brands Lighting, Inc. All Rights Reserved. ATB2 07/24/17

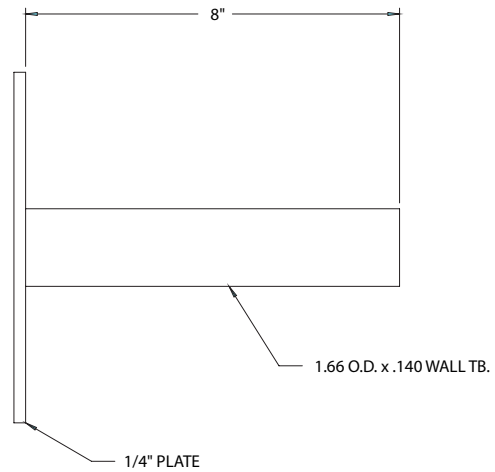
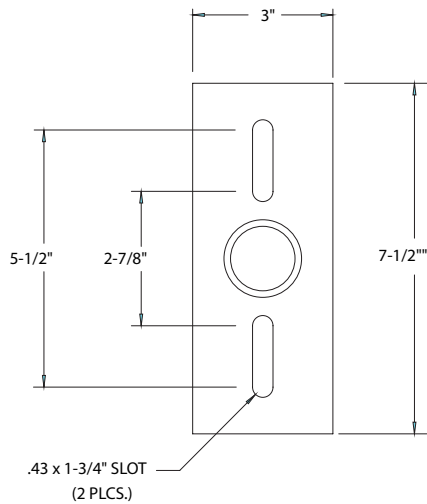
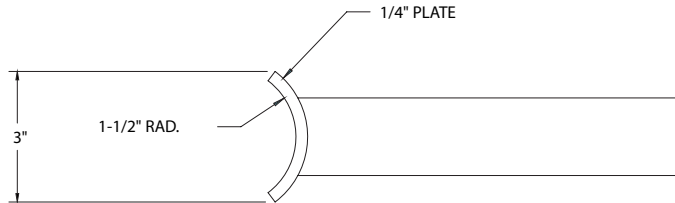
Warranty Five-year limited warranty. Complete warranty terms located at: www.acuitybrands.com/CustomerResources/Terms_and_conditions.aspx
 Actual performance may differ as a result of end-user environment and application. All values are design or typical values, measured under laboratory conditions at 25 °C. Specifications subject to change without notice.

Please contact your sales representative for the latest product information.

Autobahn Series ATB2 Roadway Lighting

UMR POLE ADAPTOR

RECOMMENDED FOR USE WITH POLES OF 4" DIAMETER OR SMALLER



UMS POLE ADAPTOR



AEL Headquarters, 3825 Columbus Road, Granville, OH 43023
www.americanelectriclighting.com

© 2014-2017 Acuity Brands Lighting, Inc. All Rights Reserved. ATB2 07/24/17

Warranty Five-year limited warranty. Complete warranty terms located at:
www.acuitybrands.com/CustomerResources/Terms_and_conditions.aspx
Actual performance may differ as a result of end-user environment and application.
All values are design or typical values, measured under laboratory conditions at 25 °C.
Specifications subject to change without notice.

Please contact your sales representative for the latest product information.